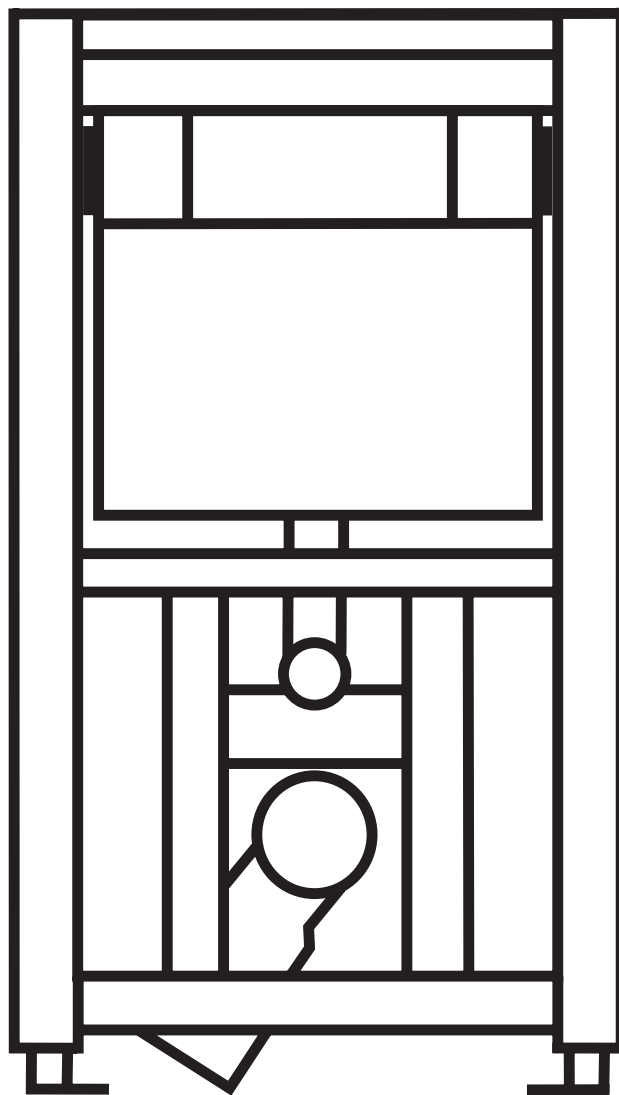
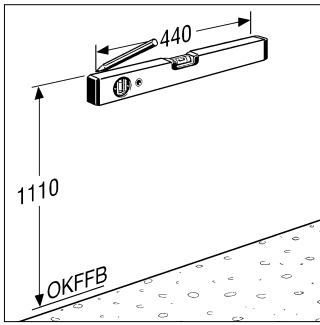


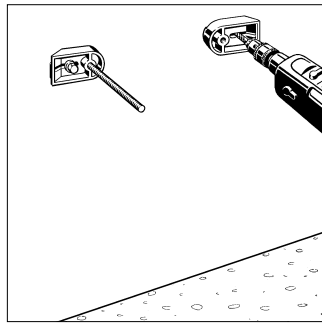
Mounting instructions Viega Eco Plus



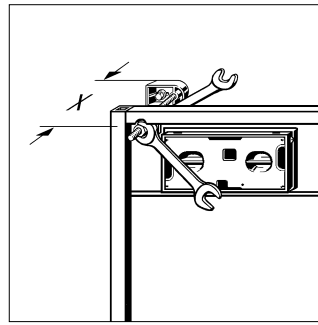
Pre-wall single mounting 1130 mm



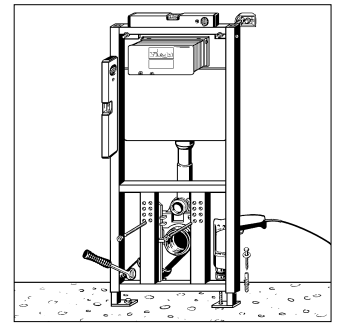
1.



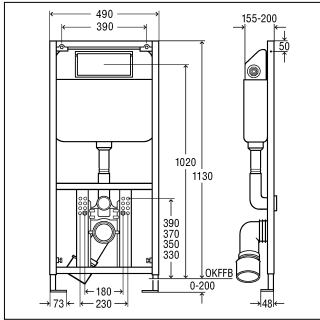
2.



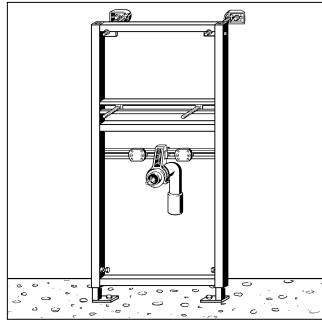
3.



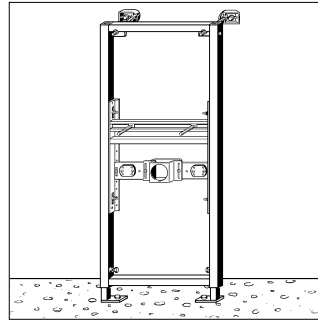
4.



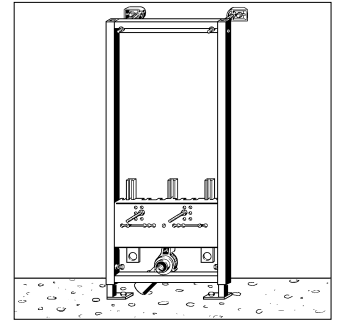
5. Article No.: 461 591



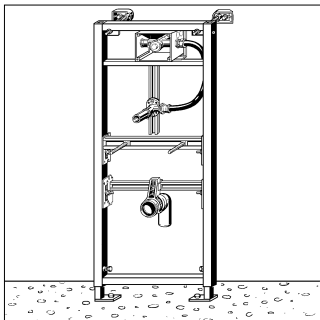
6. Article No.: 367 138



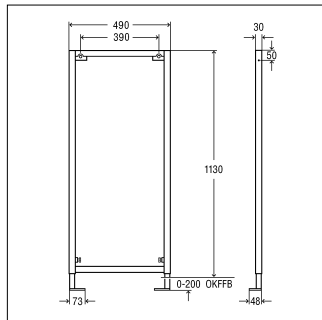
7. Article No.: 461 805



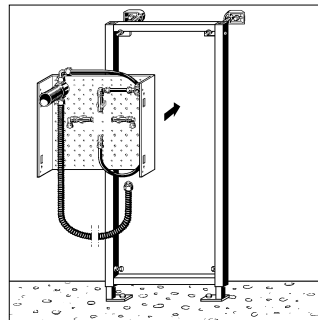
8. Article No.: 461 850



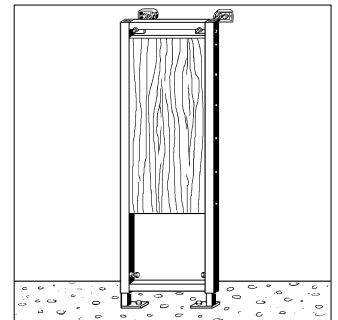
9. Article No.: 461 843



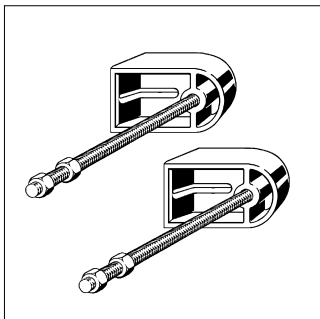
10. Article No.: 461 751



11.



12. Article No.: 455 756

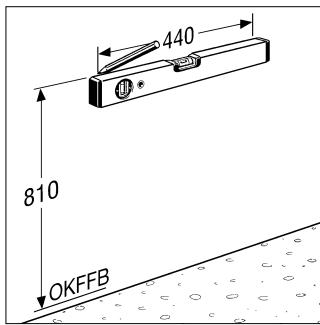


13. Article No.: 460 440

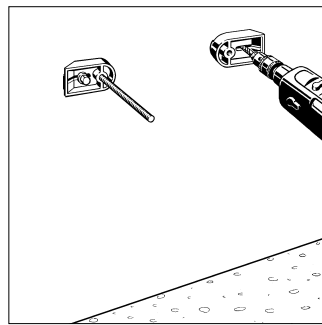
Surface of the finished floor (OKFFB)



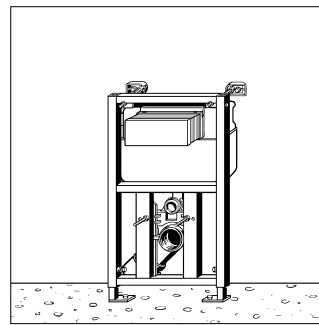
Pre-wall single mounting 830 mm



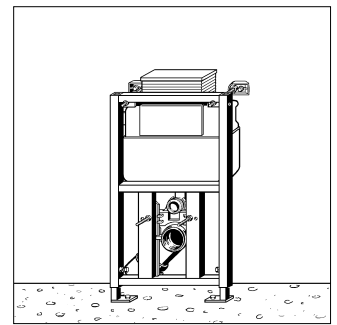
1.



2.

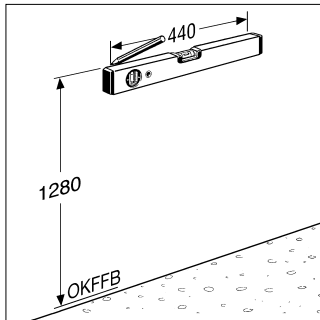


3. Article No.: 461 775

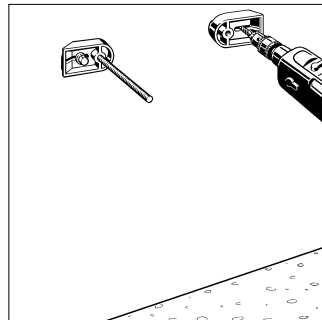


4. Article No.: 455 729

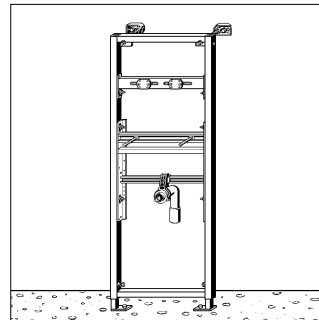
Pre-wall mounting 1300 mm



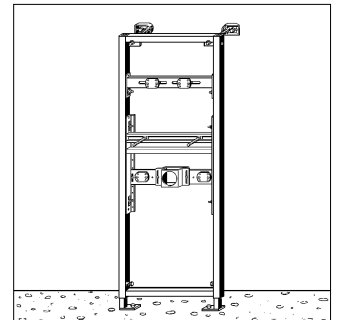
1.



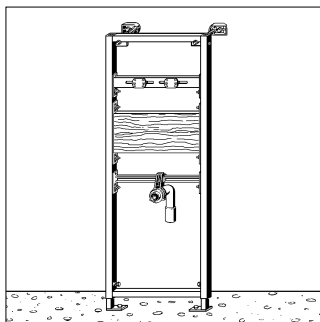
2.



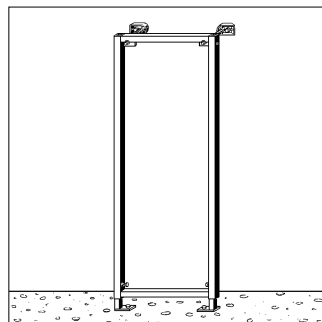
3. Article No.: 461 782



4. Article No.: 461 799

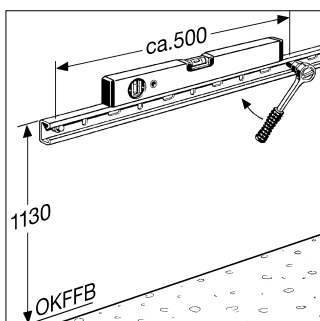


5. Article No.: 461 812

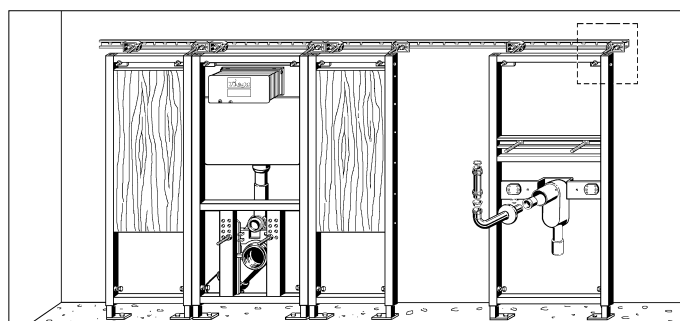


6. Article No.: 461 768

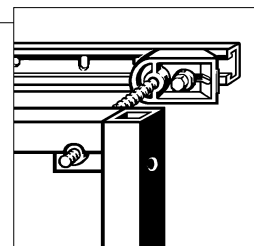
Pre-wall geriatrics, nursing and handicapped area/rail mounting



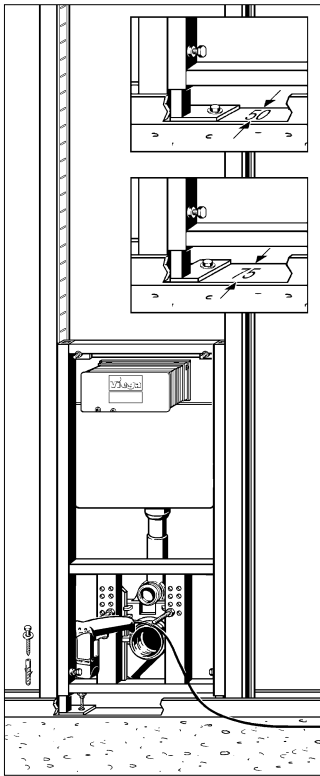
1.



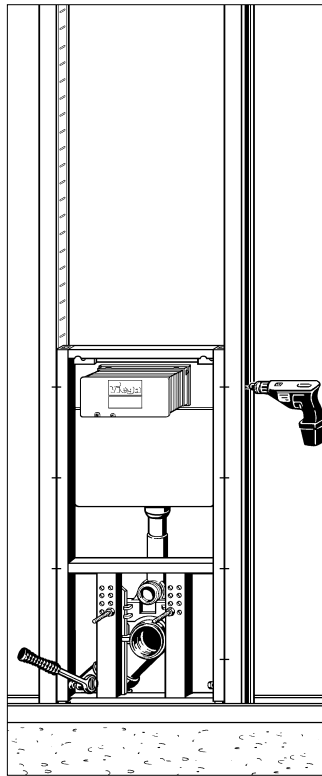
2.



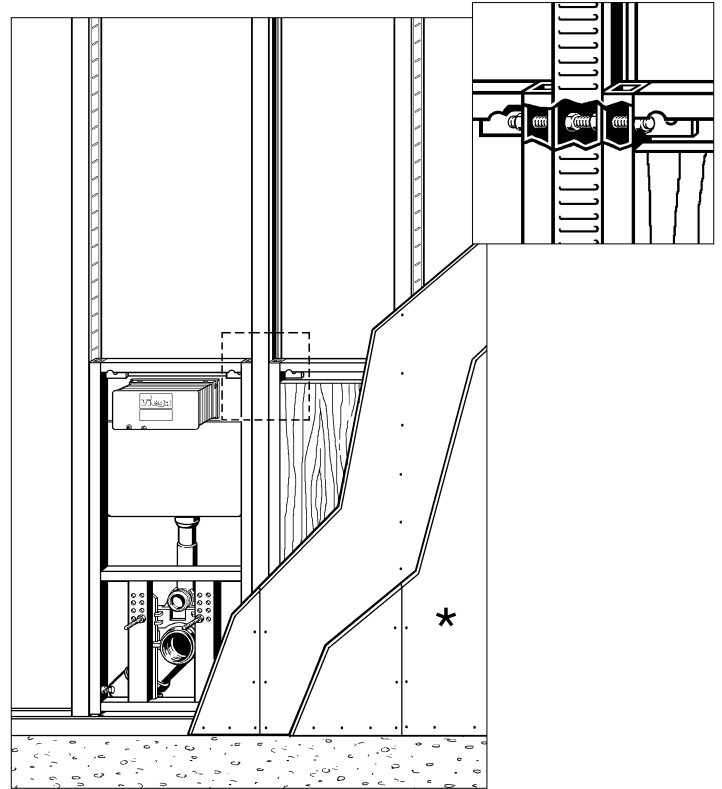
Existent stand works



1.

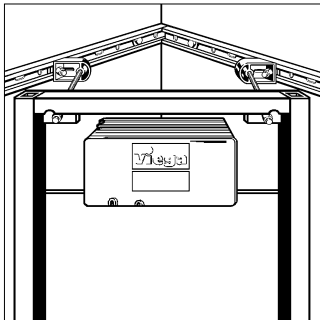


2.

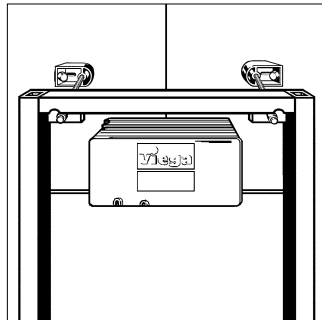


3. Double planking with
* 2 x 12,5 mm plates

Corner mounting



Rail mounting



Directly at the wall

